



**HMI solutions to  
satisfy the needs of  
packaging machinery**

# Your automation partner with a full package of HMI benefits

- Three decades of experience means reliable products and services
- In-house hardware and software development delivers seamless HMI
- Cutting-edge solutions that fit production changes and rigid requirements

## Independent manufacturer and provider

HMI products from Beijer Electronics are created with an integrated approach to HMI development. We control the entire development in Europe, North America and Asia. This means we stay close to component developers and manufacturers. With an emphasis on high functionality and user-friendliness, Beijer Electronics unites cutting edge technologies with knowledge of tomorrow's requirements.



▶ We provide worldwide support and local service points covering all parts of the globe from the western hemisphere to the far east.



▶ Our HMI offer is based on over thirty years experience in bridging the gap between machines and their human users.



- ▶ Established: 1981
- ▶ Employees: 668
- ▶ Countries: 21
- ▶ Turnover 2011: EUR 157 million
- ▶ Development centers: Europe, Asia and the US



” An intuitive, user-friendly HMI can make the difference between an inefficient system and a cost-effective one

The innovation and efficiency required by the packaging industry place high demands on the machines that serve it. Accessible information and high flexibility are the keys to setting your offering apart. Beijer Electronics has solid HMI solutions to meet your challenges. Our HMI solutions include powerful iX HMI software to optimize applications development and communication with your equipment.

Easy and intuitive to use, iX software offers scalable vector graphics, an open Windows-based platform, multiple communication drivers and the solid HMI functionality essential for packaging machinery. iX offers universal connectivity delivering rich fea-

tures and an intuitive design environment for your applications. Our operator panels and industrial PCs feature display sizes ranging from 4” to 21” with IP65 fronts. All are capable of operating in wide temperature range.

When production changes, your machines can change with it thanks to comprehensive recipe handling and the ability to transfer parameters between projects. An iX application can easily be scaled to fit any screen size. Panels can be independently updated via USB, SD card or Ethernet, creating a solution as convenient as it is future-proof.

## Get everything you expect...



### ... and so much more

With the open architecture and the technologies that accompany .NET Framework, the iX HMI solution is truly open and flexible. If you have specialized demands, you can use your own C# scripting and .NET components to further extend functionality. iX fully supports your ideas without slowing you down.

The iX HMI solution offers solid and comprehensive built-in HMI functionality such as recipes, trends, schedulers and audit trails that enables you to create an efficient and safe operation of your packaging application.



### Accessible support across the globe

Reliability is paramount to packaging systems so we afford technical expertise in the form of project support to solution providers as well as access to worldwide service and support – all eventual problems get a fast response, anywhere from the western hemisphere to the far east.

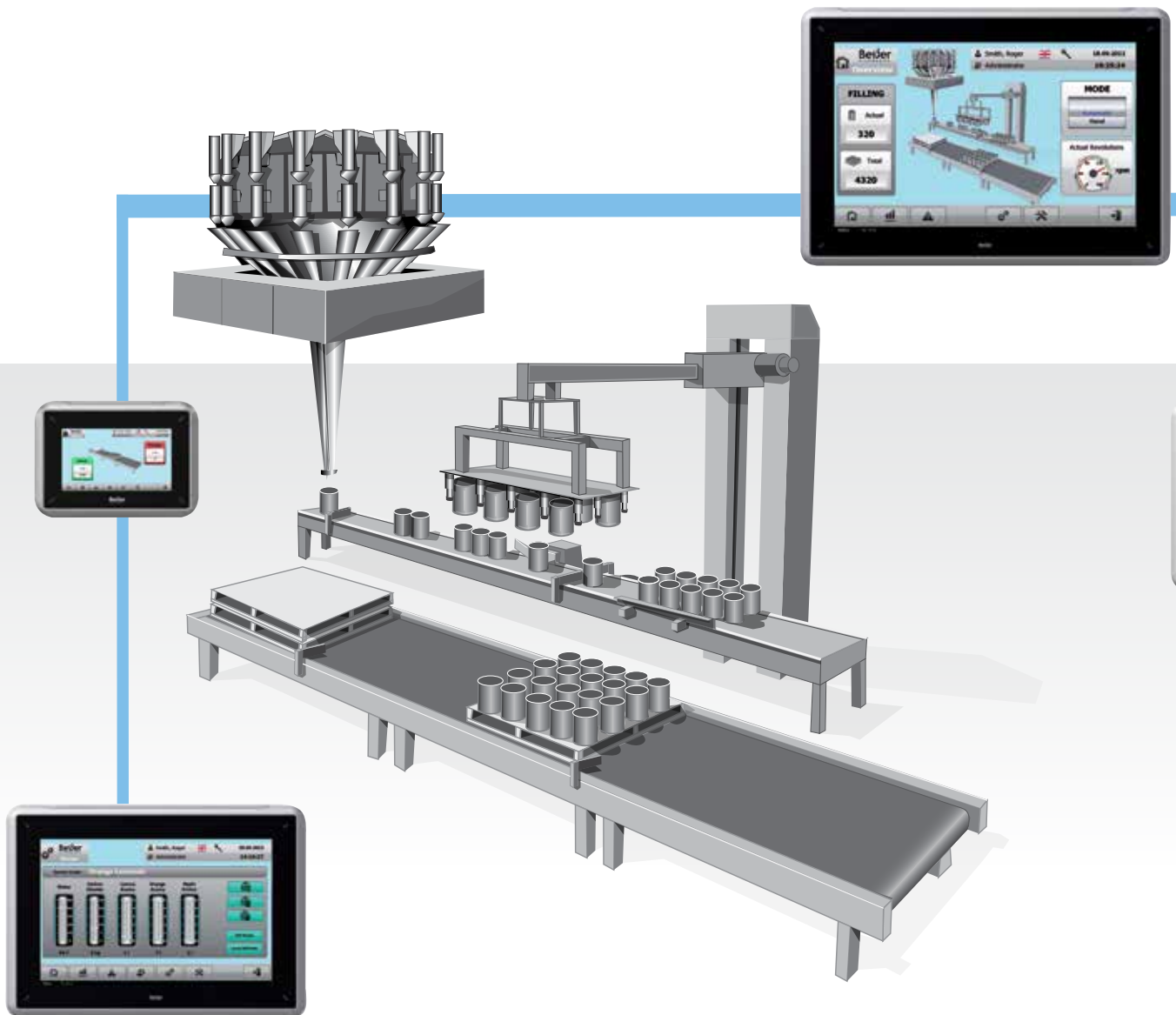


# One HMI solution for all tasks

Whether your machine is a filler, palletizer, bottle labeler, or solves any other packaging and material assignments, reliable and efficient operation is paramount. Using iX HMI solution, you can make sure your machine offers that.

Unique and intelligent navigation tools make development and operation more efficient. New ways of sharing informa-

tion between panels make sure that the operator get the right information at the right time, creating confidence in your system. With hardware and software made for each other, iX HMI solution offers a flexible, scalable HMI which you can optimize for each application, using reliable panels with 4" to 21" displays.



## Unique and intelligent navigation tools:

- **Save screen space** with new and smarter navigation tools controlled by scroll and swipe gestures.
- **Show vast amounts of information** in small areas using animated labels with variable speed and direction.

## Self-explanatory HMI:

- **Media objects** - ease operator decisions with support from web, pdf and movies.
- **Multiple languages** for user-friendly international applications.
- **Crystal clear** and flexible high-end graphics.

## Ultra-efficient networking features:

- **Use the panel** as a client or server (OPC UA) for efficient data exchange.
- **Create Excel-based reports** including graphics, calculation and charts.
- **Access panel information** remotely via PC or Smartphone, FTP/SD card/USB.
- **Distribute alarms** to a printer, mobile phone, e-mail or other operator panels.
- **Audit trail functionality** to track and trace production quality.
- **SQL connectivity** for easy storage, retrieval and management of data.

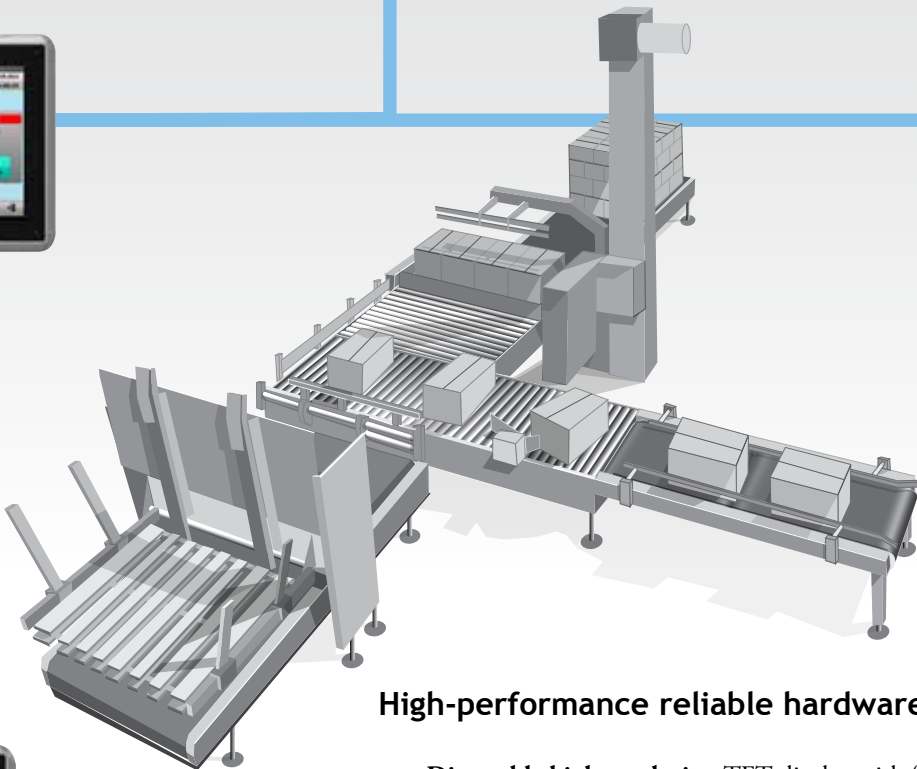


” Share data between users and provide safer control of complex machines



## Excellent connectivity:

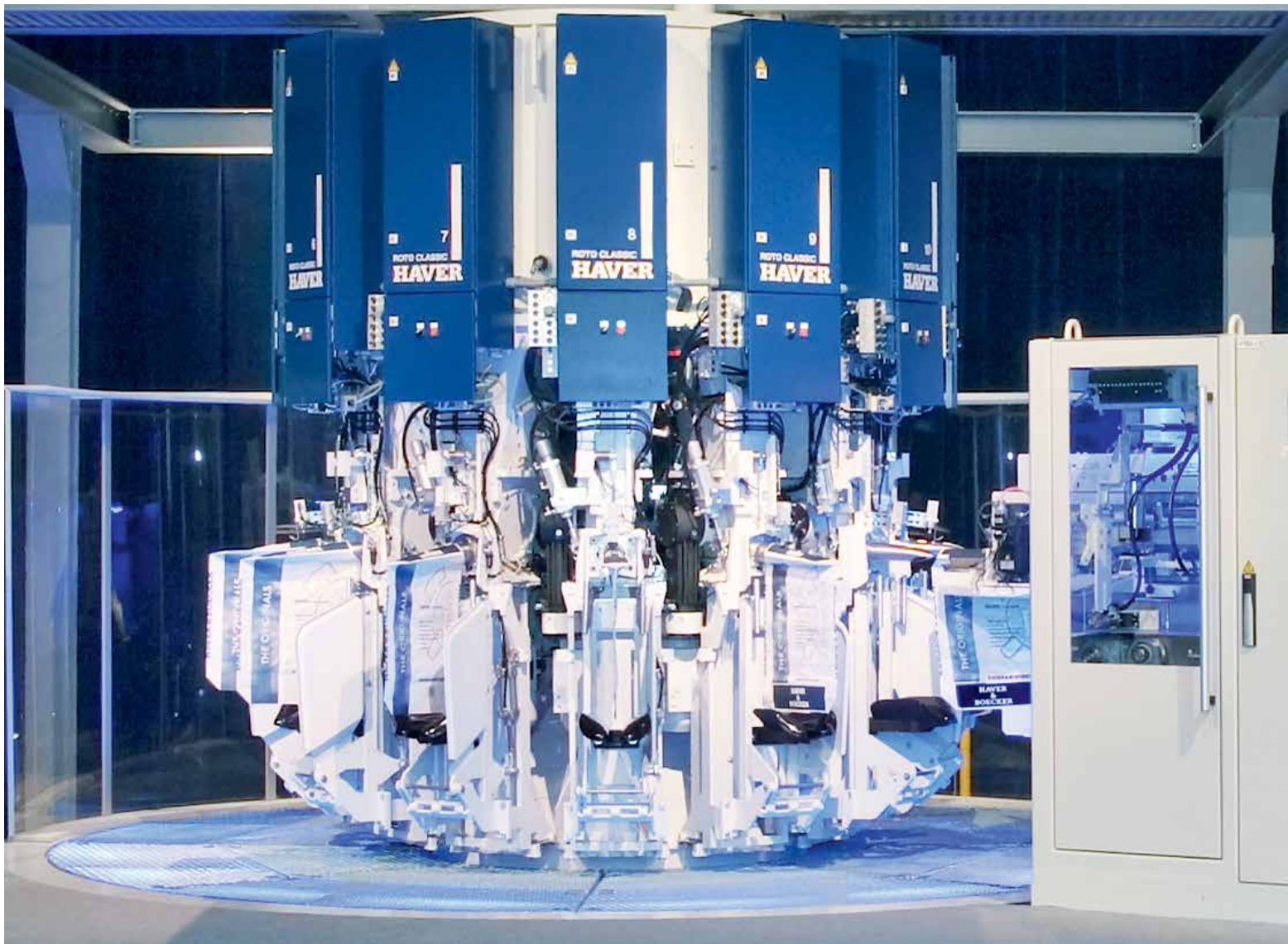
- **A multitude of connection** options are at your disposal for local communication, expansion, remote access and more.
- **Connect to PLC** or business/planning systems.
- **Multi-controller** allowing several different PLC drivers.
- **More than 50** drivers ensuring optimal connectivity.



## High-performance reliable hardware:

- **Dimmable high-resolution** TFT display with fast touch response.
- **Higher user confidence** with clear, easy-to-read display.
- **Plane surface** that is easy to clean.
- **Reliable and robust** aluminum housing and IP65 sealing.
- **Available in wide-screen** with 30% larger viewing area.





# HMI for the highest speeds

## Haver & Boecker rotating packing system

With a team of qualified engineers and specialists, Haver & Boecker develop and produce packing and screening machines for the raw material processing industry. The HAVER ROTO-PACKER® rotating packing machine is ideal for filling every type of food and nonfood material e.g. cement, building material, minerals and chemicals. It is designed for packing at the high-speed range of up to 5600 bags per hour.

When choosing HMI for the complex HAVER ROTO-PACKER®, the company decided for Beijer Electronics standard iX HMI solution, with the option to customize on both software and hardware levels. The iX HMI solution offers modern control with intuitive HMI for efficiency with style. Projects can easily be taken from local control and integrated in one central control located anywhere on the factory floor or in control room. Data from the production system can be consolidated in one easy-to access supervisory HMI. Today the machine operators navigate quickly through screens and menu systems in an intuitive one-touch concept. In addition, all weight values and operating conditions are available on one central display.

### Haver & Boecker HMI priorities

- Scalable projects with variable display sizes
- Custom-made rugged and scratch-resistant touch displays
- Open and flexible HMI software using C# and .NET
- Worldwide service and support - always a fast response





Profile your application to harmonize with the company brand



# Add your own touch

## Breakthrough ways to personalize an HMI application

With the iX HMI solution you can personalize your application in new ways to create a visual expression in line with the machine – and profile your application to harmonize with the company brand. Even system dialogs are customizable, and you have the option to choose the style you want to give your project that higher dimension.

iX 2.0 offers comprehensive built-in HMI functionality such as recipes, trends, schedulers and audit trails, that enable you to create an efficient and safe operation of your application. Additionally, you can gain further competitive advantages by implementing .NET components and creating customized functionality through C# scripting. With iX 2.0 you can incorporate new functionality for higher production output and reduced maintenance costs.

### Advantages:

**Add specialized functionality** using C# scripting and .NET components.

**Customize system dialogues** in colors, fonts and touch area size.

**Save your custom colors**, build your own screens and re-use as a template.

**Choose between** several different trend and chart objects to visualize data.

**Change style** on one or all of your objects to get a consistent look with just one click.

## About Beijer Electronics

Beijer Electronics is a fast growing technology company with extensive experience of industrial automation and data communication. The company develops and markets competitive products and solutions that focus on the user. Since its start-up in 1981, Beijer Electronics has evolved into a multinational group present in 21 countries and sales of EUR 157 million 2011. The company is listed on the NASDAQ OMX Nordic Stockholm Small Cap list under the ticker BELE.

► [www.beijerelectronics.com](http://www.beijerelectronics.com)

**Beijer**  
ELECTRONICS

**Head office**

Beijer Electronics AB  
Box 426, Krångatan 4a  
SE-201 24 Malmö, Sweden

[www.beijerelectronics.com](http://www.beijerelectronics.com) | +46 40 35 86 00

**Order no: BREN564A**

Copyright © 2012.10 Beijer Electronics. All rights reserved.

The information at hand is provided as available at the time of printing, and Beijer Electronics reserves the right to change any information without updating this publication. Beijer Electronics does not assume any responsibility for any errors or omissions in this publication.