

PROCESS VALVES

■ Diaphragm :	
Plastic 156
Metal 158
■ Globe :	
Plastic 160
Metal 164
Manifold 170
■ Pinch Valve 172

PROCESS VALVES

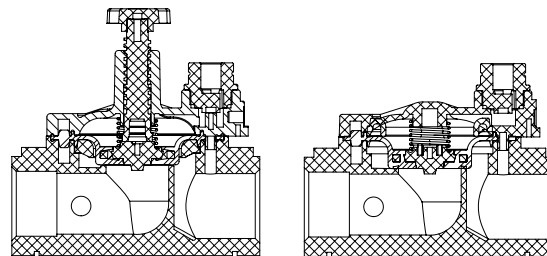
Diaphragm | Plastic

G75-S | Hydraulic 3/4" - 2" 2 Way



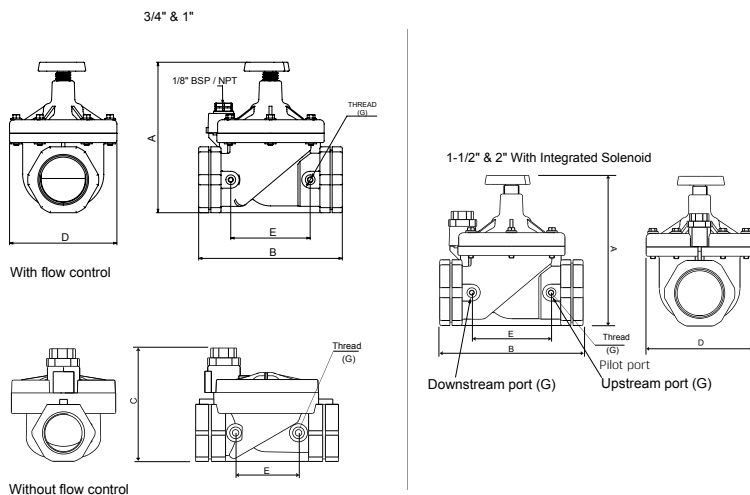
1" | no inline pilot port | with flow control

1-1/2" | upstream inline pilot port | with flow control



Flow direction →
with flow control without flow control

Dimensions



Size	A	B	C	D	E	ØG	Weight (gr.)
3/4"	105	110	77	81	52.5	1/8"NPT/BSP	230
1"	112	110	84	81	48.5	1/8"NPT/BSP	230
1-1/2"	180	160	98	127	92	1/4"NPT/BSP	740
2"	190	170	98	127	94	1/4"NPT/BSP	790

Technical Data

Function	2 Way
Ports size	3/4", 1", 1-1/2", 2" BSPT & NPT
Pressure range	0.3 to 10bar
Temperature range	Fluid : 5°C to 50°C (no freezing)
Materials in contact with media	Main Valve: Reinforced Nylon Diaphragm: NR Seals: Buna - N Spring: Stainless Steel AISI 300 series

* **Head Loss** : Please refer to page 110

How to Order

G75-S	-	PORT	FUNCTION	INLINE PILOT PORTS	FLOW CONTROL
3/4" BSPT	50	none	0	with	5
3/4" NPT	51	upstream only	1	without ⁽¹⁾	6
1" BSPT	60	downstream only	2		
1" NPT	61	both	3		
1" slip in	62				
1-1/2" BSPT	70				
1-1/2" NPT	71				
2" BSPT	80				
2" NPT	81				

Example : G75-S-5015

G75 hydraulic valve, 3/4" BSPT, 1/8" upstream inline pilot port, with flow control.

G75-S - 50 1 5

(1) 3/4", 1" valves only

* To order valves manufactured according to your specific requirements, please contact our technical sales department.

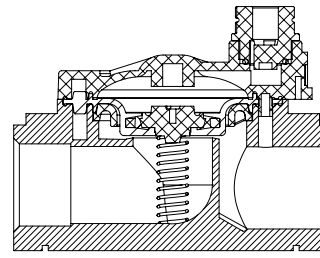
PROCESS VALVES

Diaphragm | Plastic

G75-Z | Hydraulic zero differential pressure 3/4" - 2" 2 Way NO



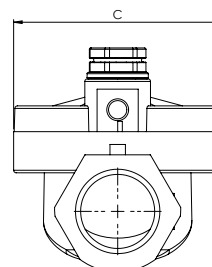
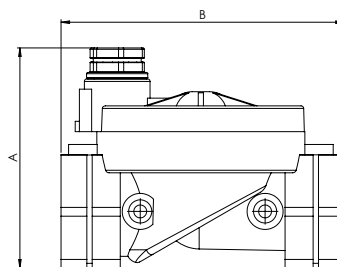
1" | NO without flow control



Flow direction →

Dimensions

Size	A	B	C
3/4"	77	110	81
1"	84	110	81
1-1/2"	98	160	127
2"	98	170	127



Technical Data

Ports size	3/4", 1", 1-1/2", 2" BSP & NPT
Pressure range	Line: 0-6 bar Pilot: 1.5 bar above line pressure
Temperature range	Fluid : 5°C to 50°C (no freezing)
Materials in contact with media	Main Valve: Reinforced Nylon Diaphragm: NR Seals: Buna-N Spring: Stainless Steel AISI 300 series

• For overall dimensions, refer to page 156

How to Order

G75-Z	-	PORT	FUNCTION	FLOW CONTROL	
		3/4" BSPT	50	2W NO 2	with 5
		3/4" NPT	51		without ⁽¹⁾ 6
		1" BSPT	60		
		1" NPT	61		
		1-1/2" BSPT	70		
		1-1/2" NPT	71		
		2" BSPT	80		
		2" NPT	81		

Example : G75-Z-6025

G75 inline hydraulic valve, 1" BSPT, 2W NO with flow control

G75-Z	-	60	-	2	-	5
-------	---	----	---	---	---	---

(1) 3/4", 1" valves only

* To order valves manufactured according to your specific requirements, please contact our technical sales department.

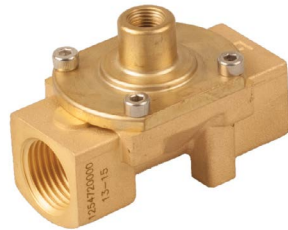
PROCESS VALVES

Diaphragm | Metal

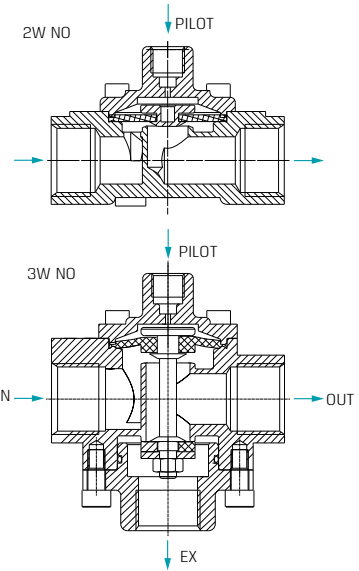
GEM-E | External pilot operated 1/4" - 1/2" 2 Way, 3 Way NO



3 Way



2 Way



Technical Data

Function	2 Way, 3 Way NO
Ports size	1/4", 3/8", 1/2" BSP & NPT
Pressure range	See table
Kv (l/min)	See table
Temperature range	Fluid : -10°C to 80°C (no freezing) Ambient : -10°C to 50°C
Materials in contact with media	Main Valve: Brass, Stainless Steel AISI 316 Seals: NBR
Media	Air, gas, water, fuel, oil etc

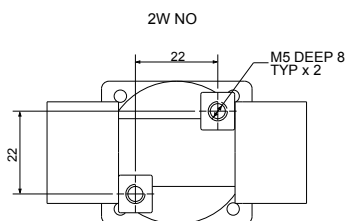
Pressure (bar) & Flow table

Size	Orifice (mm)	Pressure (bar)	Kv(l/Min)
1/4"	8	0.5 to 10	12
3/8"	8		16
1/2"	12		35

* Pilot pressure should be at least 1 bar higher than process fluid

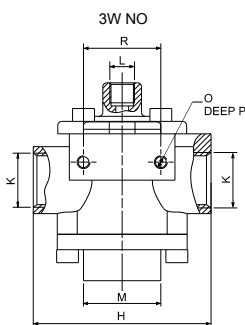
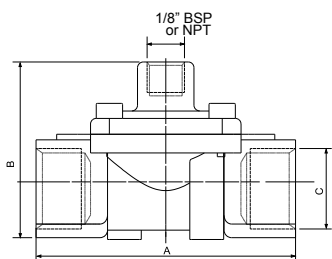
Diaphragm | Metal | GEM-SOL | External pilot operated 1/4"-1/2" 2, 3 Way NO

Dimensions



2W NO

Size	A	B	C
1/4" 3/8"	58	36	1/4", 3/8" BSP/ NPT
1/2"	69	475	1/2" BSP/NPT

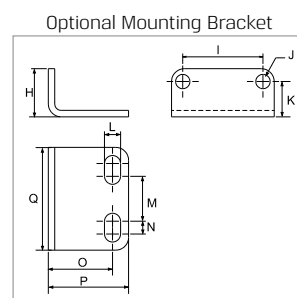


3W NO

Size	H	J	K	L	M	N	O	P	R
1/4"	58	61	1/4" BSP/NPT	1/8" BSP/NPT	25	32	M4	7	25
1/2"	69	775	1/8" BSP/NPT	1/8" BSP/NPT	30	38	M5	9	30

Optional Mounting Bracket

Size	H	I	J	K	L	M	N	O	P	Q
1/4"	15	25	Ø4.5	11	5	14	4	20	25	32
3/8" 1/2"	20	30	Ø6	13	6	22	4	25	33	40



How to Order

GEM-E	-	BODY ⁽¹⁾	PORT	FUNCTION	SEALS	-	BRACKET ⁽⁴⁾		
Brass	2	1/4" BSP	20	2W NO	2	NBR	N	without	0
Stainless Steel ⁽²⁾	3	1/4" NPT	21	3W NO	4			with	1
		3/8" BSP ⁽³⁾	30						
		3/8" NPT ⁽³⁾	31						
		1/2" BSP	40						
		1/2" NPT	41						

Example : GEM-E-2202N-0

GEM-SOL external pilot operated, brass, 1/4"BSP, 2W NO, NBR, without mounting bracket.

GEM-E - 2 20 2 N - 0

- (1) 3W NO - Brass only
- (2) Stainless Steel valves - only available in 2 Way
- (3) 3/8" - unavailable for 3 Way NO
- (4) Mounting bracket available only for 3 Way NO

* To order valves manufactured according to your specific requirements, please contact our technical sales department.

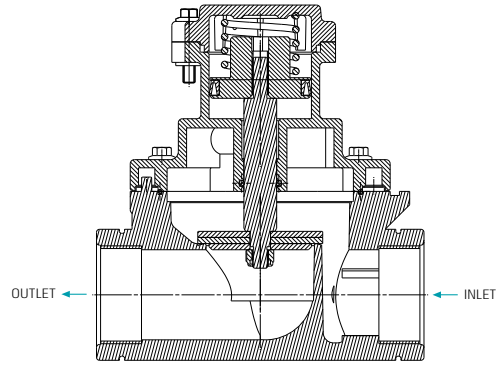
PROCESS VALVES

Globe | Plastic

GC | 3/4" - 2" 2 Way NC



2" | 2W NC

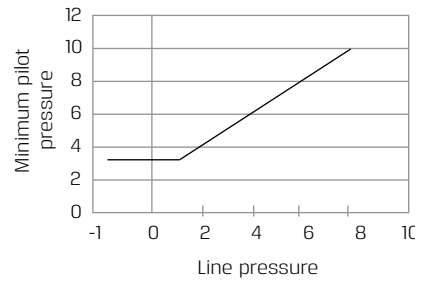


Technical Data

Function	2 Way NC
Ports size	3/4", 1", 1-1/2", 2" BSP & NPT
Pressure range	See table
Temperature range	Fluid : -5°C to 60°C (no freezing) Ambient : -10°C to 50°C
Materials in contact with media	Main Valve: Reinforced Nylon 6 Diaphragm: NBR, FPM (Viton®), EPDM, Polyurethane

Pressure (bar) & Flow table

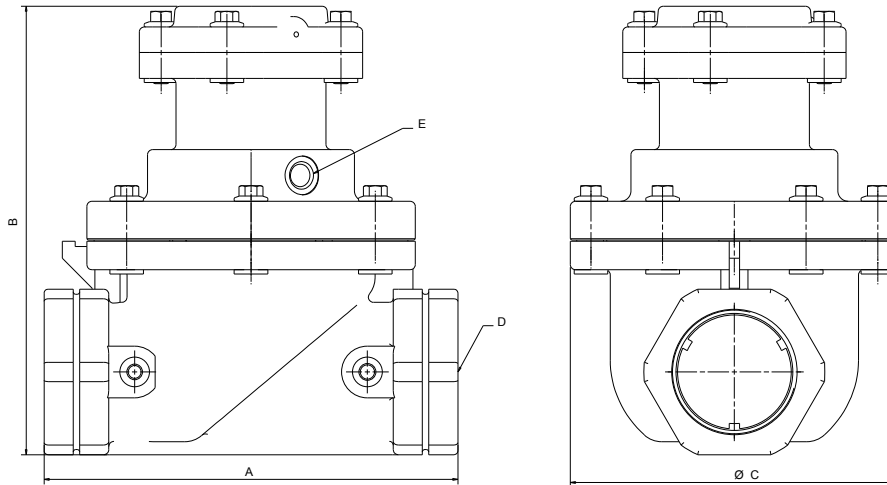
Size	Orifice (mm)	Line Pressure
3/4", 1"	27	Vacuum - 10 bar
1-1/2", 2"	55	Vacuum - 10 bar



Globe | Plastic | GC | 3/4" - 2" 2 Way NC

Dimensions

Size	A	B	C	D	E
3/4"	110	108	81	3/4"	1/8"BSP/NPT
1"	110	108	81	1"	1/8"BSP/NPT
1-1/2"	160	174	127	1-1/2"	1/8"BSP/NPT
2"	170	185	127	2"	1/8"BSP/NPT



How to Order

GC	BODY	TYPE	PORT	FUNCTION	SEALS					
GC	Plastic	4	Globe	1	3/4"BSP	50	2W NC	1	NBR	N
					3/4"NPT	51			FPM (Viton®)	V
					1"BSP	60			EPDM	E
					1"NPT	61			Polyurethane	P
					1-1/2"BSP	70				
					1-1/2"NPT	71				
					2"BSP	80				
					2"NPT	81				

Example : GC-4160-1N

GC Globe cylinder, nylon body, 1"BSP, 2W NC, NBR seals.

GC - 4 - 1 - 60 - 1 - N

* To order valves manufactured according to your specific requirements, please contact our technical sales department.

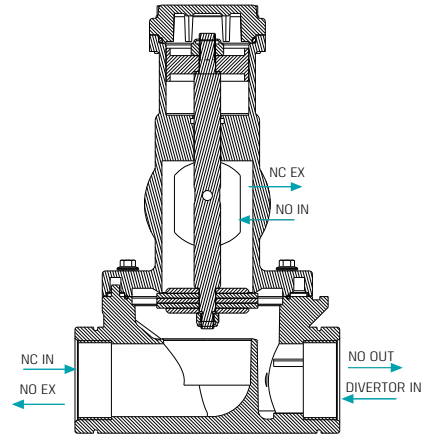
PROCESS VALVES

Globe | Plastic

GC | General purpose 3/4" - 2" 3 Way



1-1/2" | General purpose



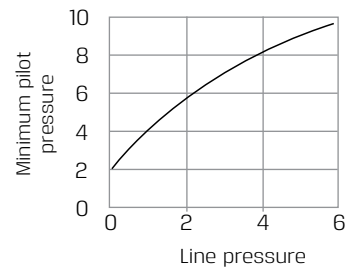
Technical Data

Function	3 Way
Ports size	3/4", 1", 1-1/2", 2" BSP & NPT
Pressure range	See table
Temperature range	Fluid : -5°C to 60°C (no freezing) Ambient : -10°C to 50°C
Materials in contact with media	Main Valve: Reinforced Nylon 6 Seal seat: Polyurethane

- Use a 5x2 pilot valve to control the valve.

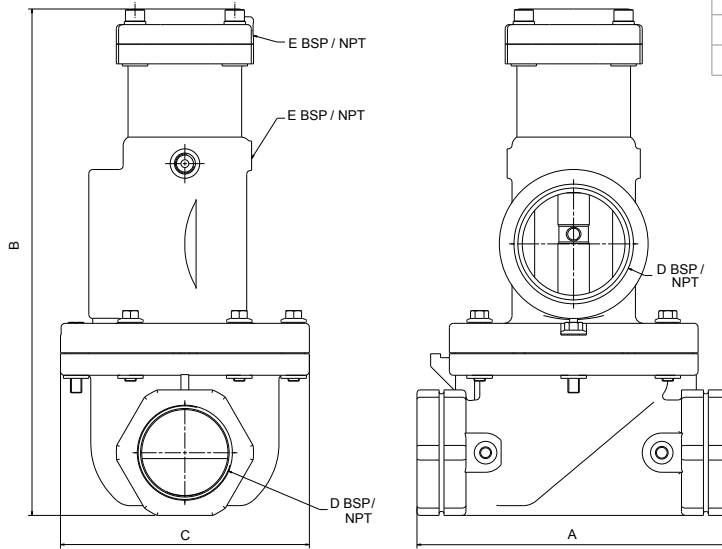
Pressure (bar) & Flow table

Size	Orifice (mm)	Line Pressure
3/4", 1"	27	Vacuum - 5 bar
1-1/2", 2"	55	Vacuum - 5 bar



Globe | Plastic | GC | General purpose 3/4" - 2" 3 Way

Dimensions



Size	A	B	C	D	E
3/4"	110	142	81	3/4"	1/8"BSP/NPT
1"	110	142	81	1"	1/8"BSP/NPT
1-1/2"	160	264	126	1-1/2"	1/8"BSP/NPT
2"	170	274	126	2"	1/8"BSP/NPT

How to Order

GC	BODY	TYPE	PORT	FUNCTION	SEALS					
GC	Plastic	4	Globe	1	3/4"BSP	50	General purpose	9	Polyurethane	P
					3/4"NPT	51				
					1"BSP	60				
					1"NPT	61				
					1-1/2"BSP	70				
					1-1/2"NPT	71				
					2"BSP	80				
					2"NPT	81				

Example : GC-4160-9P

GC Globe cylinder, nylon body, 1"BSP, 3W with polyurethane seals.

GC - 4 - 1 - 60 - 9 - P

* To order valves manufactured according to your specific requirements, please contact our technical sales department.

PROCESS VALVES

Globe | Metal

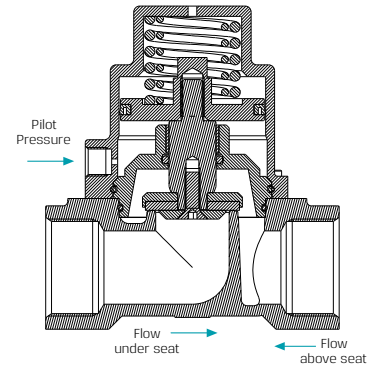
GC | 1/4" - 1" 2 Way NC



Plastic cover



Brass cover

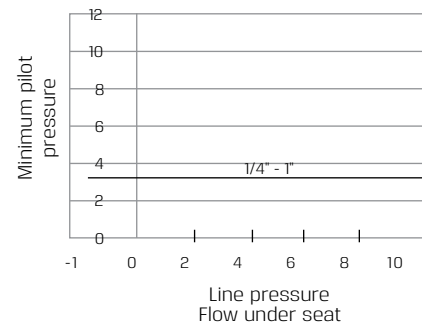
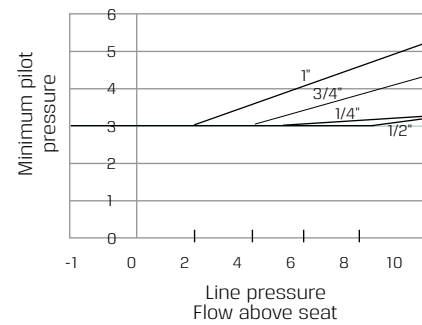


Technical Data

Function	2 Way NC
Ports size	1/4", 3/8", 1/2", 3/4", 1" BSP & NPT
Pressure range	See table
Temperature range	Fluid : -5°C to 60°C (no freezing) Ambient : -10°C to 50°C
Materials in contact with media	Main Valve: Brass or Stainless Steel AISI 316 Seals: NBR/PU, FPM (Viton®), EPDM and PTFE

Pressure (bar) & Flow table

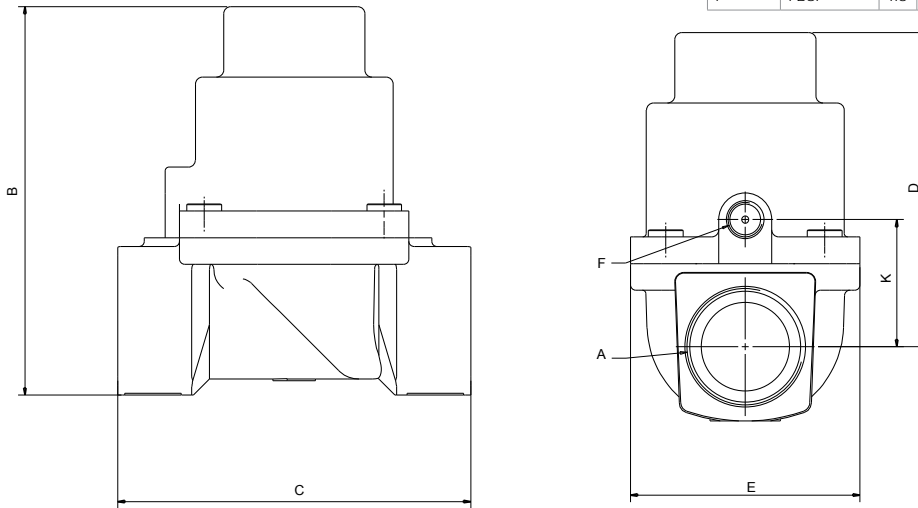
Size	Orifice (mm)	Line Pressure
1/4"	8	Vacuum - 10 bar
3/8", 1/2"	12	Vacuum - 10 bar
3/4"	20	Vacuum - 10 bar
1"	25	Vacuum - 10 bar



Globe | Metal | GC | 1/4" - 1" 2 Way NC

Dimensions

Size	A	B	C	D	E	K	F
1/4"	1/4"BSP	62	58	50	32	23	1/8"BSP
3/8",1/2"	3/8",1/2"BSP	78	69	65	38	27	1/8"BSP
3/4"	3/4"BSP	86	89	69	55	34	1/8"BSP
1"	1"BSP	110	100	89	65	36	1/8"BSP



How to Order

GC	BODY	TYPE	PORT	FUNCTION	SEALS				
Brass	2	Globe	1	1/4"BSP	20	2W NC	1	NBR/PU	N
Stainless Steel	3			1/4"NPT	21	2W NC bidirectional	1a	FPM (Viton®)	V
				3/8"BSP	30			EPDM	E
				3/8"NPT	31			PTFE	T
				1/2"BSP	40				
				1/2"NPT	41				
				3/4"BSP	50				
				3/4"NPT	51				
				1"BSP	60				
				1"NPT	61				

Example : GC-2160-1N

GC Globe cylinder, brass body, 1" BSP, 2W NC, NBR seals.

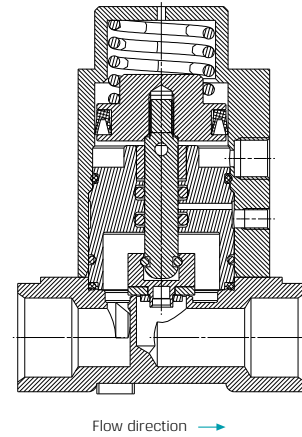
GC - 2 - 1 - 60 - 1 - N

* To order valves manufactured according to your specific requirements, please contact our technical sales department.

PROCESS VALVES

Globe | Metal

GC-ST | For steam 3/8" - 1" 2 Way NC, NO



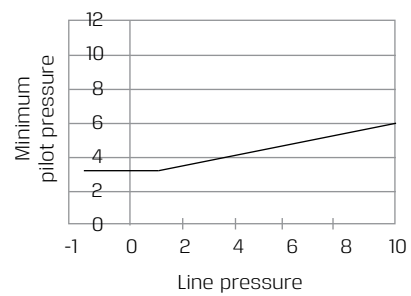
Flow direction →

Technical Data

Function	2 Way NC, NO
Ports size	3/8", 1/2", 3/4", 1" BSP & NPT
Pressure range	See table
Temperature range	Fluid : -10° to 150°C (no freezing) Ambient : -10°C to 50°C
Materials in contact with media	Main Valve: Brass or Stainless Steel AISI 316 Diaphragm: PTFE

Pressure (bar) & Flow table

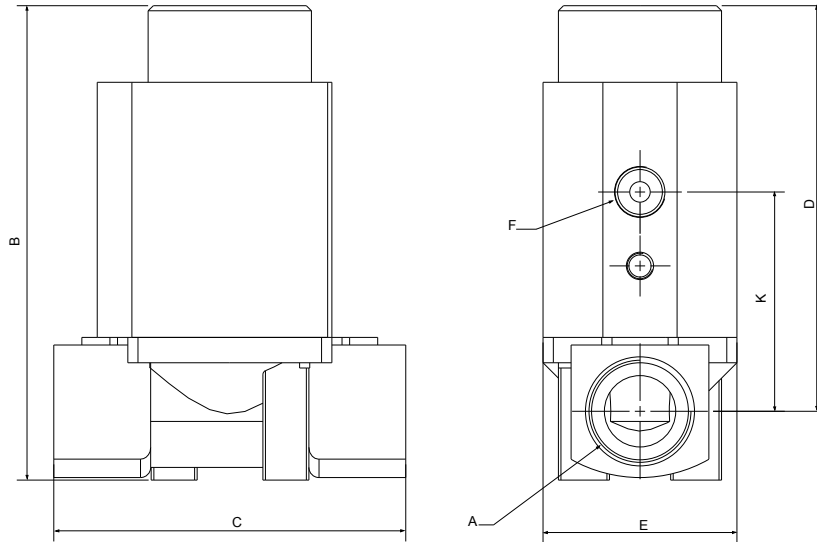
Size	Orifice (mm)	Line Pressure
3/8", 1/2"	12	Vacuum - 10 bar
3/4"	20	Vacuum - 10 bar
1"	25	Vacuum - 10 bar



Globe | Metal | GC | For steam 3/8" - 1" 2 Way NC, NO

Dimensions

Size	A	B	C	D	E	F	K
3/8",1/2"	3/8",1/2"	93	69	79.5	38	1/8"	43
3/4"	3/4"	98.5	90	81.5	55	1/8"	50.5
1"	1"	-	100	-	65	1/8"	-



How to Order

GC-ST	-	BODY	TYPE	PORT	-	FUNCTION	SEALS				
		Brass	2	Globe	1	3/8"BSP	30	2W NC	1	PTFE	T
		Stainless Steel ⁽¹⁾	3			3/8"NPT	31	2W NO	2		
						1/2"BSP	40				
						1/2"NPT	41				
						3/4"BSP	50				
						3/4"NPT	51				
						1"BSP	60				
						1"NPT	61				

Example : GC-ST-2160-1T

GC Globe cylinder, brass body, 1"BSP, 2W NC, PTFE seals.

GC-ST - 2 - 1 - 60 - 1 - T

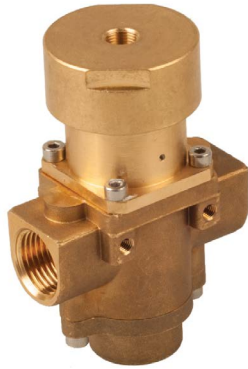
(1) Available only in 3/8" and 1/2"

* To order valves manufactured according to your specific requirements, please contact our technical sales department.

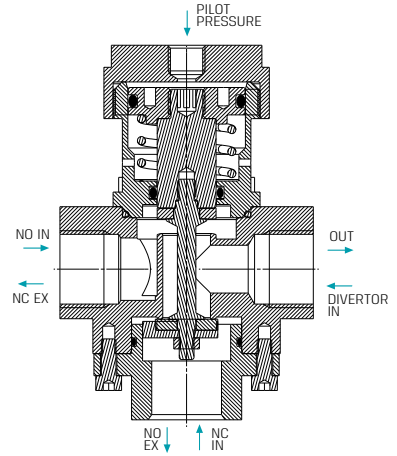
PROCESS VALVES

Globe | Metal

GC | General purpose 1/4" - 1/2" 3 Way



1/2" | General purpose

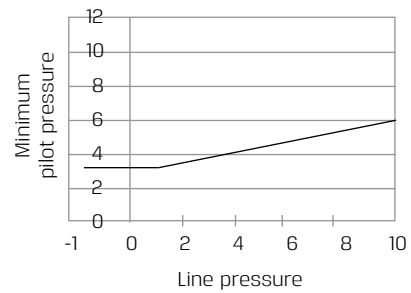


Technical Data

Function	3 Way
Ports size	1/4", 3/8", 1/2" BSP & NPT
Pressure range	See table
Temperature range	Fluid : -5°C to 60°C (no freezing) Ambient : -10°C to 50°C
Materials in contact with media	Main Valve: Brass Seals seat: NBR, FPM (Viton®), EPDM

Pressure (bar) & Flow table

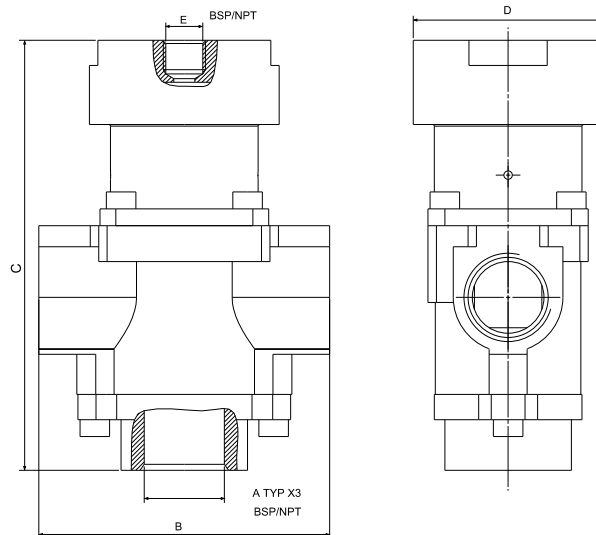
Size	Orifice (mm)	Line Pressure
1/4"	8	Vacuum - 10 bar
3/8", 1/2"	12	Vacuum - 10 bar



Globe | Metal | GC | General purpose 1/4" - 1/2" 3 Way

Dimensions

Size	A	B	C	D	E
1/4"	1/4"	60	90	34	1/8"
3/8", 1/2"	3/8", 1/2"	70	100	45	1/8"



How to Order

GC	-	BODY	PORT	FUNCTION	SEALS		
Brass	2	1/4"BSP	20	General purpose	9	NBR	N
		1/4"NPT	21			FPM (Viton®)	V
		3/8"BSP	30			EPDM	E
		3/8"NPT	31				
		1/2"BSP	40				
		1/2"NPT	41				

Example : GC-2209N

GC cylinder, brass body, 1/4"BSP, 3W with NBR seals.

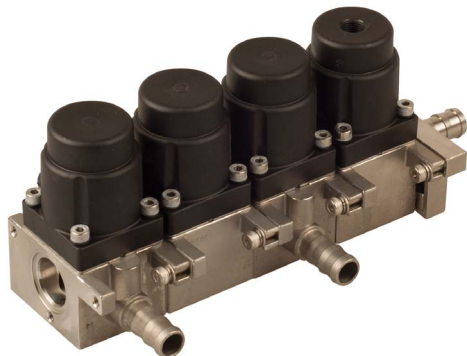
GC	-	2	20	9	N
----	---	---	----	---	---

* To order valves manufactured according to your specific requirements, please contact our technical sales department.

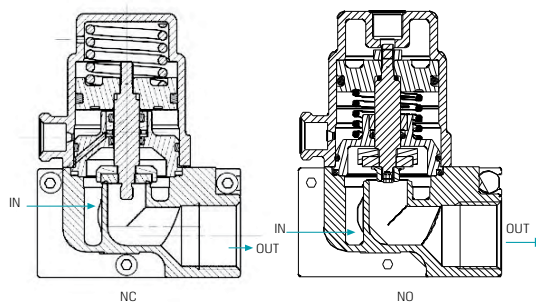
PROCESS VALVES

Globe | Manifold

GC-SM | Stackable manifold 1/4", 1/2" 2 Way NC, NO



4 stations | Stainless Steel

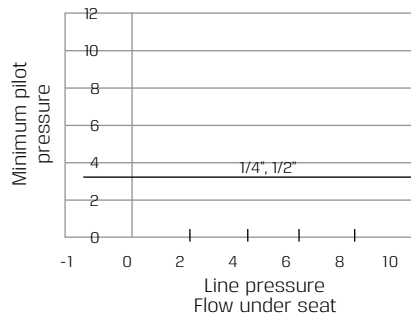
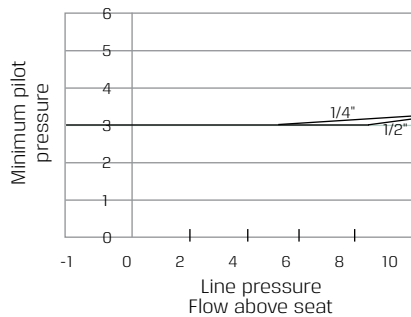


Technical Data

Function	2 Way NC, NO
Ports size	1/4", 1/2" BSP & NPT
Pressure range	See table
Temperature range	Fluid : -5°C to 60°C (no freezing) Ambient : -10°C to 50°C
Materials in contact with media	Main Valve: Brass or Stainless Steel AISI 316 Seals: NBR, FPM (Viton®), EPDM

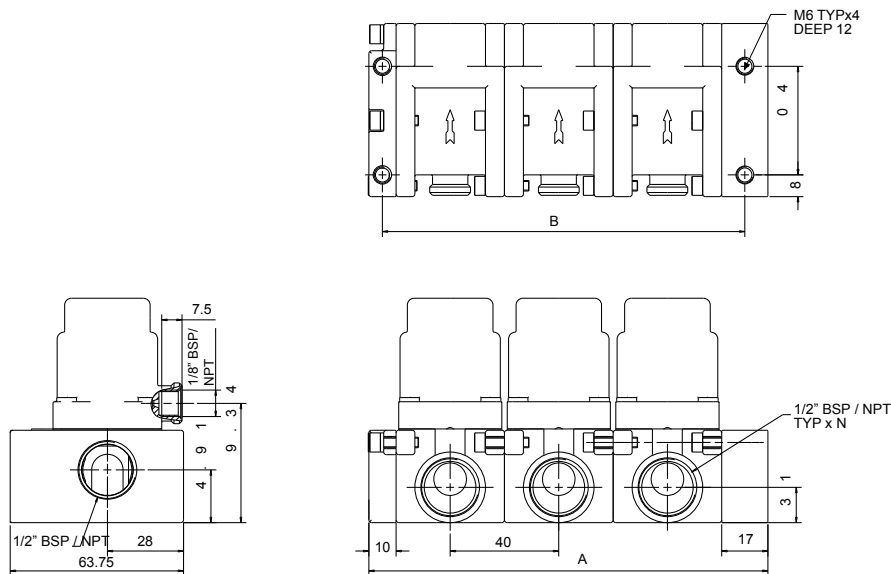
Pressure (bar) & Flow table

Size	Orifice (mm)	Line Pressure
1/4"	8	Vacuum - 10 bar
1/2"	12	Vacuum - 10 bar



Globe | Manifold | GC | Stackable 1/4", 1/2" 2 Way NC, NO

Dimensions



A	B
27+40xN	13.5+40xN

N = number of stations

How to Order

GC-SM	No. of STATIONS	BODY	PORT	FUNCTION	SEALS	
specify quantity	Brass	2	1/4"BSP ⁽¹⁾ 20	2W NC	1 NBR N	
	Stainless Steel	3	1/4"NPT ⁽¹⁾ 21	2W NC bidirectional	1a FPM (Viton®) V	
			1/2"BSP	40	2W NO	2 EPDM E
			1/2"NPT	41		

Example : GC-SM-02260-1N

GC Globe cylinder operated stackable, 2 station, brass body, 1"BSP, 2W NC, NBR seals.

GC-SM - 02 - 2 - 60 - 1 - N

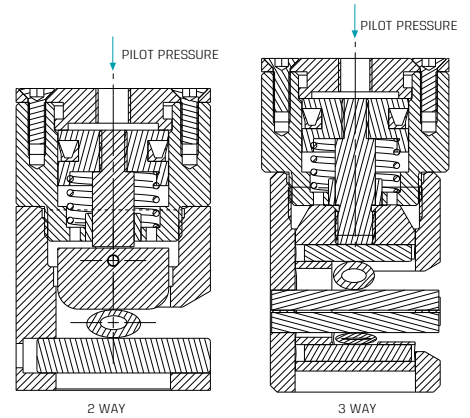
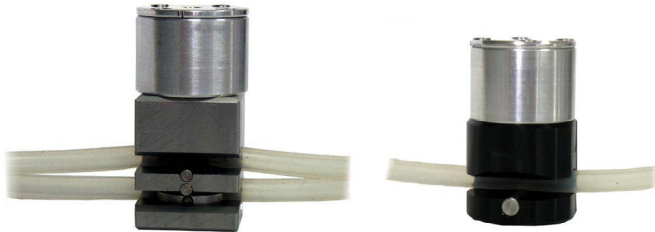
(1) Only available in brass

* To order manifolds manufactured according to your specific requirements, please contact our technical sales department.

PROCESS VALVES

Pinch Valve

GC-P | Pinch valve 2 Way, 3 Way

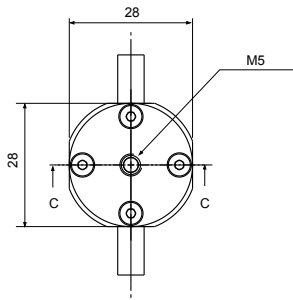
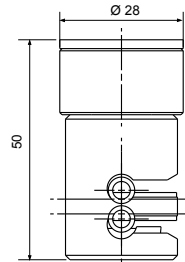
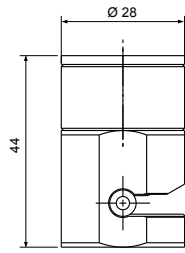


Technical Data

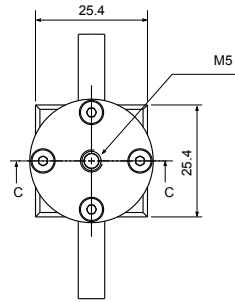
Function	2 Way, 3 Way
Tubes	<ul style="list-style-type: none">• 6x4• 8x5 for 2 Way only• 9.5x6.5 for 2 Way only
Pressure range	Fluid : according to tube specifications Pilot : 3-8 bar
Temperature range	Fluid : according to tube specifications (no freezing) Ambient : -10°C to 50°C
Materials in contact with media	Valve: Aluminium * fluid flows through silicone tube

Pinch Valve | GC | 2 Way, 3 Way

Dimensions



2 Way



3 Way

How to Order

GC-P	-	TUBE	FUNCTION	
		Ø6X4	1 2W	1
		Ø8X5 ⁽¹⁾	2 3W	3
		Ø9.5X6.5 ⁽¹⁾	3	

Example : GC-P-11

GC pinch valve for Ø6x4 silicone tube, 2W.

GC-P - 1 1

(1) 2W only

* To order valves manufactured according to your specific requirements, please contact our technical sales department.